


  
 Wishbone  
 site furnishings

**WISHBONE SITE FURNISHINGS**

210-27090 GLOUCESTER WAY LANGLEY, BC

**DWG. TITLE:** LOOP 2 SPACE BIKE RACK

**REVISION:** 01/01/20 R:00

**MATERIAL:**  
ALUMINUM

**DWG. NO.**  
DWSBBR01012000

**DRAWN BY:**  
JAMES NEDEN

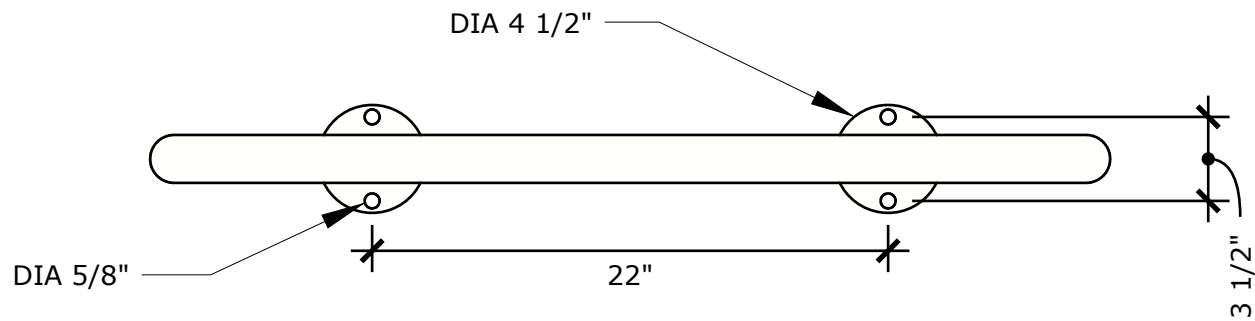
**TOLERANCE**  
+/- 1/4"


**MODEL NO.**  
LBRG-1

**SCALE:**  
1:16

**SHEET:**  
1 OF 3

**DATE:**  
01 JAN 20



	<b>WISHBONE SITE FURNISHINGS</b> 210-27090 GLOUCESTER WAY LANGLEY, BC			
	<b>DWG. TITLE:</b> LOOP 2 SPACE BIKE RACK <b>REVISION:</b> 01/01/20 R:00			
<b>MATERIAL:</b> ALUMINUM	<b>DWG. NO.</b> DWSBBR01012000	<b>DRAWN BY:</b> JAMES NEDEN		
<b>TOLERANCE</b> +/- 1/4"	<b>MODEL NO.</b> LBRG-1	<b>SCALE:</b> 1:8	<b>SHEET:</b> 2 OF 3	<b>DATE:</b> 01 JAN 20



## WISHBONE SITE FURNISHINGS

210-27090 GLOUCESTER WAY LANGLEY, BC

**DWG. TITLE:** LOOP 2 SPACE BIKE RACK

**REVISION:** 01/01/20 R:00

**MATERIAL:**  
ALUMINUM

**DWG. NO.**  
DWSBBR01012000

**DRAWN BY:**  
JAMES NEDEN

**TOLERANCE**  
+/- 1/4"

**MODEL NO.**  
LBRG-1

**SCALE:**  
AS SHOWN

**SHEET:**  
3 OF 3

**DATE:**  
01 JAN 20